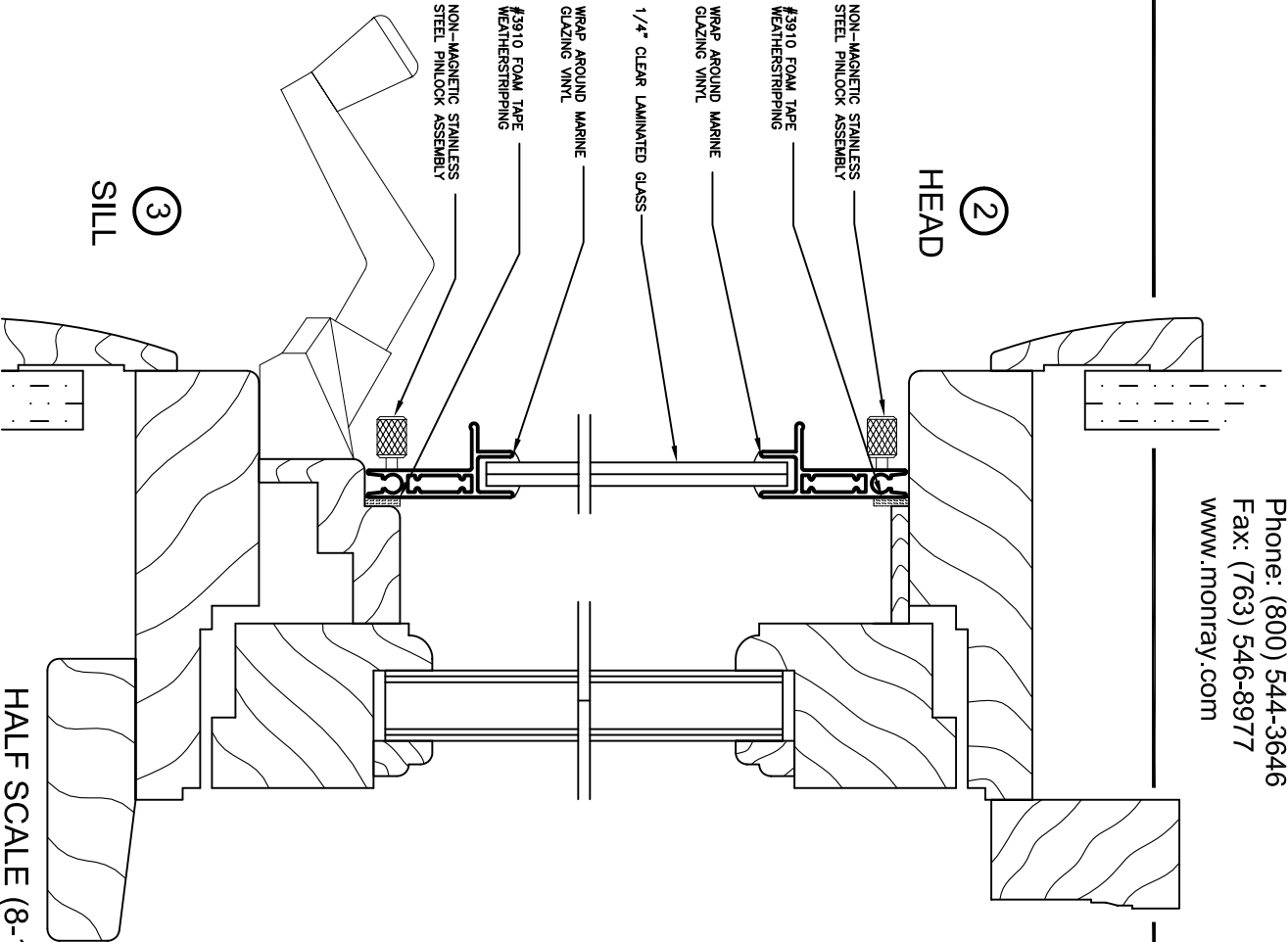
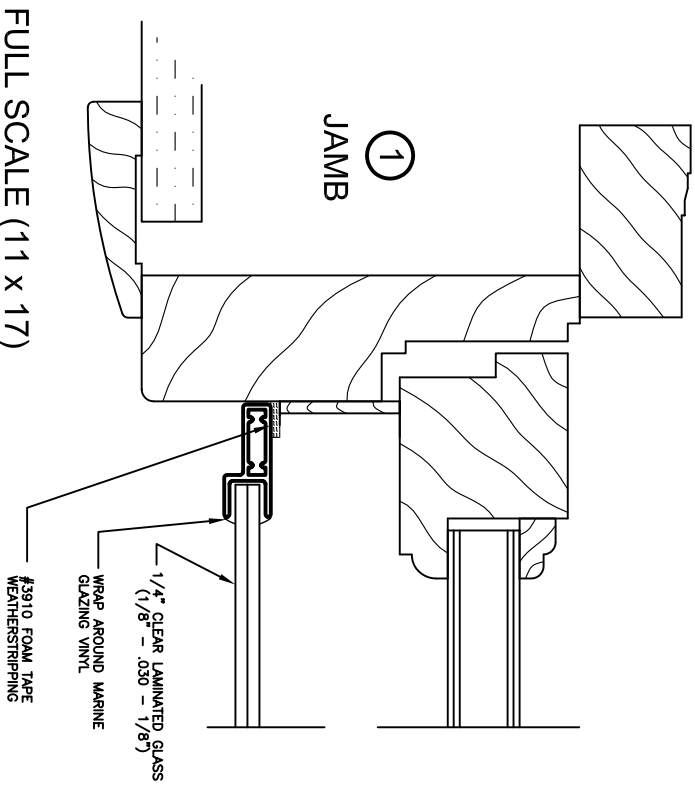
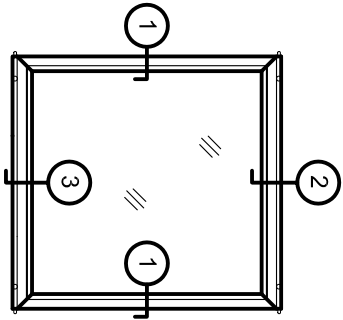


Storm Windows & Doors

Mon-Ray, Inc.
 Phone: (800) 544-3646
 Fax: (763) 546-8977
 www.monray.com



FULL SCALE (11 x 17)

HALF SCALE (8-1/2 x 11)

MON-RAY MODEL P-150 - INTERIOR REMOVABLE PANEL
 ACOUSTICAL CASEMENT

TYPICAL
 INSTALLATION

GLAZED WITH 1/4" LAMINATED GLASS
 OPTIONAL GLAZING 1/8", 3/16" & 1/4" GLASS

DRAWING
 MR100-803